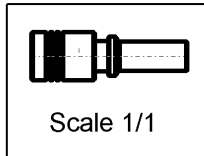
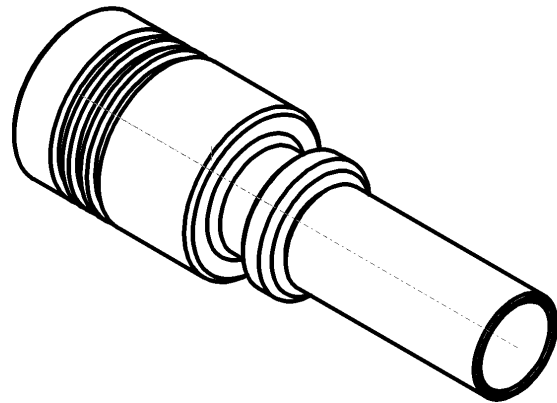
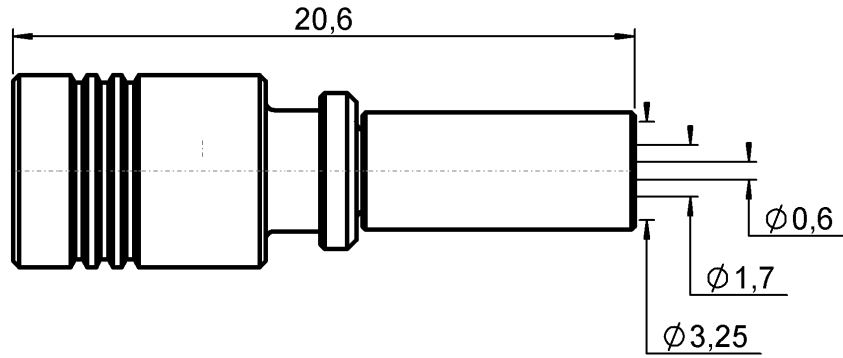


STRAIGHT PLUG CRIMP TYPE

R114.082.000

CABLE 2.6/50+75 S

Series : SMB



All dimensions are in mm.



| COMPONENTS | MATERIALS | PLATING (µm) |
|----------------|------------------|-------------------------|
| BODY | BRASS | GOLD 0.2 OVER NICKEL 2 |
| CENTER CONTACT | BERYLLIUM COPPER | GOLD 0.2 OVER NICKEL 2 |
| OUTER CONTACT | BERYLLIUM COPPER | GOLD 0.5 OVER NICKEL 2 |
| INSULATOR | PTFE | |
| GASKET | - | |
| OTHERS PARTS | BRASS | .GOLD 0.2 OVER NICKEL 2 |
| - | - | - |
| - | - | - |

Issue : 0742 A

In the effort to improve our products, we reserve the right to make changes judged to be necessary.



STRAIGHT PLUG CRIMP TYPE

CABLE 2.6/50+75 S

R114.082.000

Series : **SMB**

PACKAGING

| | | |
|------------|-------------------|-------------------|
| Standard | Unit | Other |
| 100 | 'W' option | Contact us |

SPECIFICATION

CABLE ASSEMBLY

| Stripping | a | b | c | d | e | f |
|-----------|------|------|------|------|------|------|
| mm | 2,50 | 5,40 | 11,0 | 0,00 | 8,50 | 0,00 |

ELECTRICAL CHARACTERISTICS

| | | |
|---------------------------------|---------------|-----------------------------|
| Impedance | | 50 Ω |
| Frequency | | 0-4 GHz |
| VSWR | 1.25 + | 0,0400 x F(GHz) Maxi |
| Insertion loss | | 0.25 √F(GHz) dB Maxi |
| RF leakage | - (| 57 - F(GHz)) dB Maxi |
| Voltage rating | | 335 Veff Maxi |
| Dielectric withstanding voltage | | 1000 Veff mini |
| Insulation resistance | | 1000 MΩ mini |

Assembly instruction : **Crimp 02**

Recommended cable(s)

- RG 316
- KX 22A
- RG 188
- RG 179
- RG 187
- ECO 316
- RG 174
- KX 3B
- RG 174 FTX
- RG 174
- RG 316

Characteristics indicated on this data sheet are those that can be achieved with the highest performance cable. Intrinsic limitations of the cable may diminish the performance of the assembly

Cable retention

- pull off **110** N mini
- torque **3.9** N.cm

MECHANICAL CHARACTERISTICS

| | | |
|----------------------------|-----------|-----------|
| Center contact retention | | |
| Axial force – Mating end | 10 | N mini |
| Axial force – Opposite end | 10 | N mini |
| Torque | NA | N.cm mini |

| | | |
|--------------------|---------------|------|
| Recommended torque | | |
| Mating | NA | N.cm |
| Panel nut | NA | N.cm |
| Clamp nut | NA | N.cm |
| A/F clamp nut | 0,0000 | mm |

| | | |
|-------------|---------------|-------------|
| Mating life | 500 | Cycles mini |
| Weight | 2,0950 | g |

ENVIRONMENTAL

| | | |
|-----------------------|-----------------|-----------|
| Operating temperature | -65/+165 | °C |
| Hermetic seal | NA | Atm.cm3/s |
| Panel leakage | NA | |

TOOLING

| Part Number | Description | Hexagon |
|--------------|-----------------------------|--------------------------|
| . | . | . |
| R282.281.000 | CRIMPING TOOL | 2x4(pos.3->50 pos.1->75) |
| R282.983.000 | POSITONER FOR CRIMPING TOOL | - |
| . And - (et) | | |
| R282.211.000 | CRIMPING TOOL | 3.25 |
| . Or - (ou) | | |
| R282.293.000 | CRIMPING TOOL M22520/5-01 | - |
| R282.235.003 | CRIMPING DIES | 3.25 |

OTHER CHARACTERISTICS

Issue : **0742 A**

In the effort to improve our products, we reserve the right to make changes judged to be necessary.

